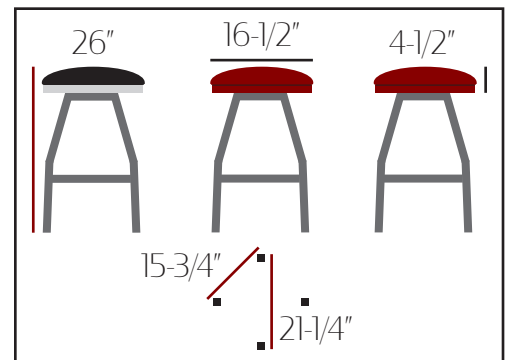


SLIMLINE BUTTON TOP STOOL WITH
CLEAR COAT COUNTER HEIGHT SWIVEL FRAME:
SL0117-CCS



- 100% welded, 1.2mm thick 1.25" tubular steel counter height frame
- Premium clear coat frame with matching footring
- Chrome accent ring on seat bottom: 1-1/2" H x 15-1/2" Diameter
- Heavy-duty flat swivel attached to frame
- Non-marring poly glides
- Quality fabric backed commercial grade vinyl
- Button top seat ships unattached - simple seat attachment is required
- Barstool weight: 20 lbs.
- F.O.B. Iowa



You may also like Oak Street Manufacturing's other Button Top Barstool Options:

